

CX10p 19Inch Color Display

i Main Features

- 1,280 x 1,024 resolution
- 1,000 cd/m² Brightness
- Factory Calibrated DICOM
- 10-bit LUT

i Display Performance

Screen Size	19.0"
Viewable Image Size	376.32 x 301.06 mm
Display Resolution	1,280 x 1,024 Pixels
Brightness	1,000 cd/m ²
Contrast Ratio	1,000:1
Viewing Angle	85° / 85° / 85° / 85° (U/D/L/R)
Input Signal	DVI-D, VGA Analog, SOG(BNC), Composite Video, S-Video
Output Signal	VGA Analog, SOG(BNC)
Control Key	Touch button
Power Supply	In: AC 100~240, 60Hz/50Hz Out : DC 12V
Power Consumption	75W
Power Save Mode	5W
Backlight System	LED
Lamp Lifetime	50,000 hours (50% of initial Lum.)
Dimension	436.5(H) x 455.5(W) x 200.0(D) mm
Weight	8.0 kg (with stand)

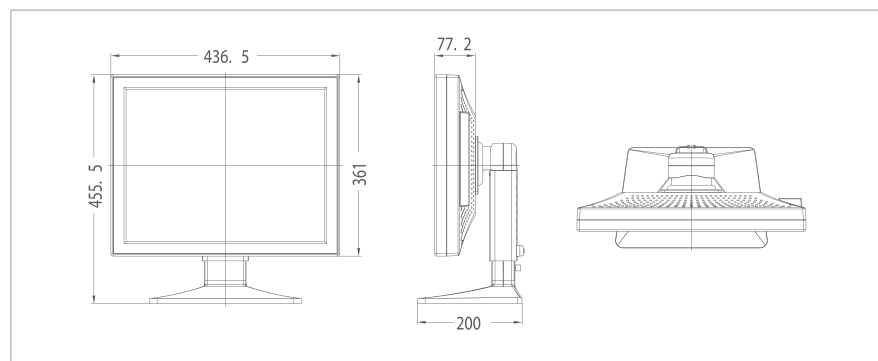


i Environmental Consideration

Temperature	Operating : 0°C ~ 40°C
	Storage : -20°C ~ 60°C
Humidity	Operating : 10% ~ 80%
EMC	CE, FCC Class B, VCCI Class B, KC
Safety	CE EN60601-1 3 rd Edition
	CB IEC60601-1 3 rd Edition
	UL

Specifications and features are subject to change without notice. Images shown are for illustrative purpose only. All products names are trademarks or registered trademarks of WIDE Corp. This document is copyrighted. Neither this document, nor any part of it, may be reproduced or copied without written permission of WIDE Corp. | Created in Korea. 2014. 09. Ver 1.0.0 ©MARKSMARKS.NL10-2014

i Product dimension



WIDE Corporation (Gomae-Dong) 12 Wongomae-Ro, Giheung-Gu, Yongin-Si, Gyeonggi-Do 446-901, Korea Tel: +82-31-218-1600 Fax: +82-31-274-7400 info@widecorp.com **WIDE USA Corporation** 2210 E. Winston Road, Anaheim, CA 92806, USA Tel: +1-714-300-0540 infousa@widecorp.com **WIDE EUROPE B.V.** Panamalaan 3L, 1019 AS Amsterdam, The Netherlands Tel: +31-20-311-9797 Fax: +31-20-311-9790 infoeu@widecorp.com **WIDE JAPAN** Shinjuku Suzuki Bldg A 1-6-8 Shinjuku, Shinjuku-Ku, Tokyo 160-0022, Japan Tel: +81-3-6457-8371 Fax: +81-3-6457-8372 infojapan@widecorp.com **WIDE ASIA** 1350/88-89, Thairong tower, Pattanakarn road, Suanluang, Bangkok 10250, Thailand Tel: +66 2 717 1843 Fax: +66 2 717 1844 infoasia@widecorp.com **Foreseeson Custom Displays, Inc.** 2210 E. Winston Road Anaheim, CA 92806 USA Tel: +1 714 300 0540 Fax: +1-714-300 0546 **Foreseeson GmbH** Industriestrasse 38a 63150 Heusenstamm, Germany Tel: +49 6104 64398 0 Fax: +49 6104 64398 11 sales@fsnmed.eu **Foreseeson UK Ltd.** Unit 2 Kingsmill Business Park Chapel Mill Road Kingston upon Thames Surrey KT1 3GZ Tel: +44 208 546 1047 Fax: +44 208 546 3931 sales@fsnmed.eu